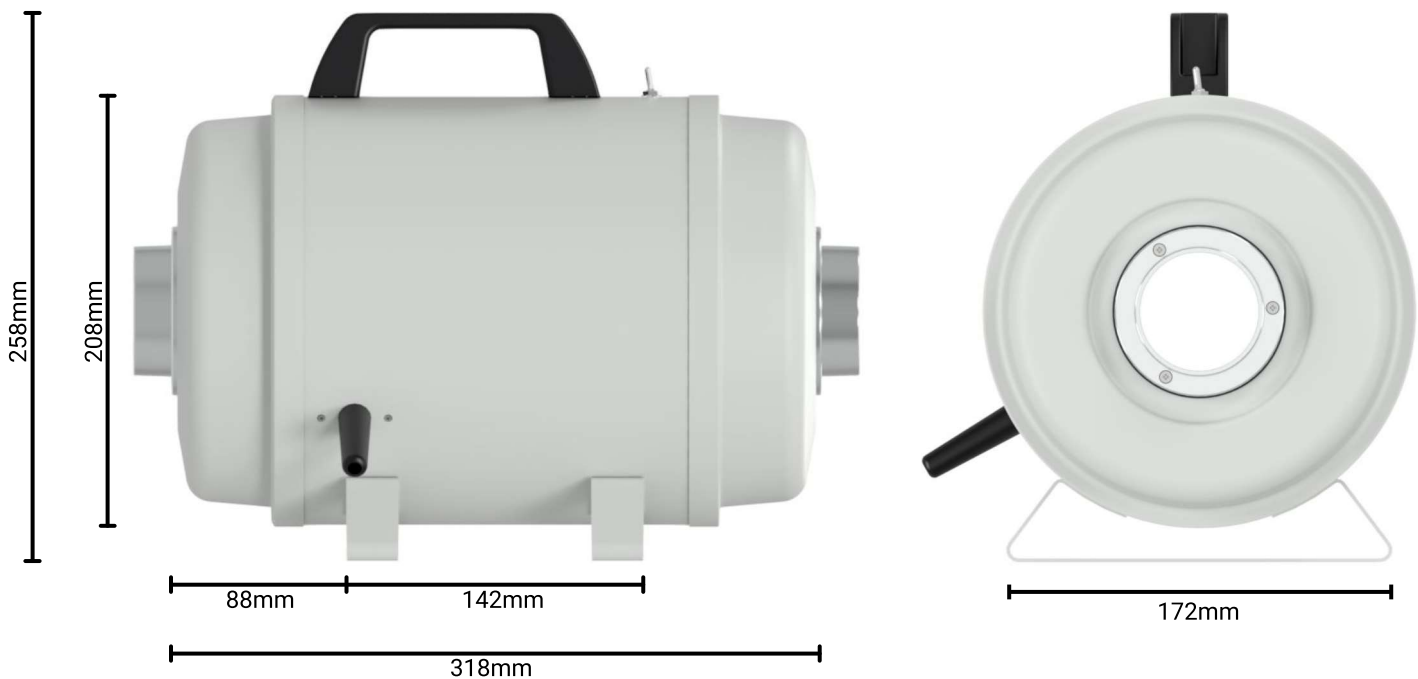


## Overview

Introducing the BVC Inflate Deflate Unit (IDU), your portable powerhouse for applications requiring substantial air power. Designed and crafted in the UK, this compact, robust unit is steel-built and finished with epoxy/polyester powder coating for durability.

Compact, easy to carry, and simple to use, the IDU is surprisingly powerful. Its versatility shines in various inflate/deflate applications, including temporary temperature domes or food and consumables, mobile theatres and stages, inflatable bridges, temporary medical centers, and lift rafts.



IDU MACHINE TYPE	220-240V	110-120V	220-240V	110-120V
MOTOR	Through Flow	Through Flow	By-Pass	By-Pass
VOLTAGE / FREQUENCY	220-240v / 50-60Hz	110-120v / 50-60 Hz	220-240v / 50-60Hz	110-120v / 50-60 Hz
POWER kW	0.9	0.9	1.0	1.0
CLASS	Earthed	Earthed	Earthed	Earthed
CABLE	5m x 3 Core	2m x 3 Core	5m x 3 Core	2m x 3 Core
VACUUM mm H20	2540	2540	2300	2300
PRESSURE mm H20	2610	2610	2610	2610
FLOW RATE	51	51	48	48
UNIT LENGTH mm	315	315	312	312
UNIT HEIGHT	265	265	351	351
UNIT WIDTH mm	205	205	260	260
WEIGHT kg	6	6	7	7
NOISE LEVEL Db ( A ) @ 1m (Blowing)	80	80	80	80
NOISE LEVEL Db ( A ) @ 1m (Evacuating)	83	83	83	83
INLET / OUTLET mm dia	32 or 51	32 or 51	32	32