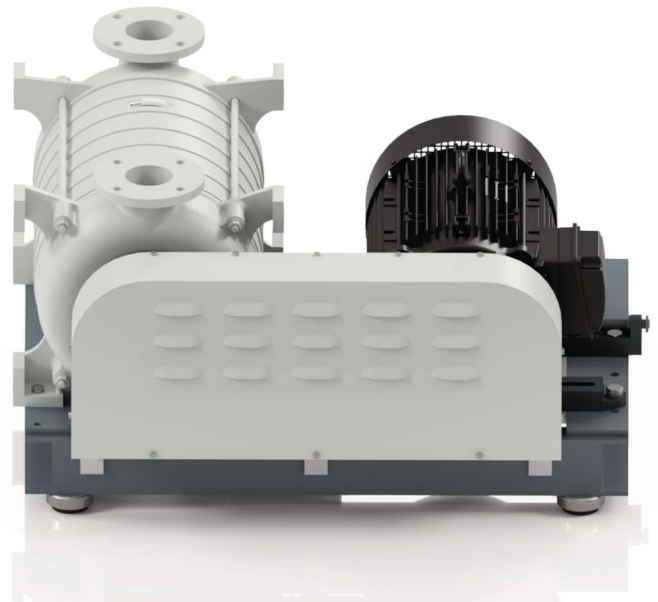


## Overview

---

This data sheet provides a summary of the exhauster/blowers technical characteristics, components, applications and materials.

BVC AB08 exhauster/blowers incorporate multiple impellers mounted on a shaft which runs in outboard bearings. The impeller shaft assembly is enclosed in a sectional cast housing incorporating fixed blade diffusers. The impeller shaft assembly is caused to rotate by an electric motor via a belt and pulley.



## Features & Benefits

---

Our exhauster blowers are meticulously crafted with robust British design and manufacturing. They are suitable for a broad range of applications, delivering a consistent stream of warm, dry non-pulsating air. You can choose from bare shaft options or fully motorised units, and we offer a wide selection of electric motors and starters for your specific needs.

## Exhauster Applications

---

**Inlet** Should be fitted with flexible sleeve to take out any vibration.

**Outlet** Should be fitted with a discharge silencer.

## Blower Applications

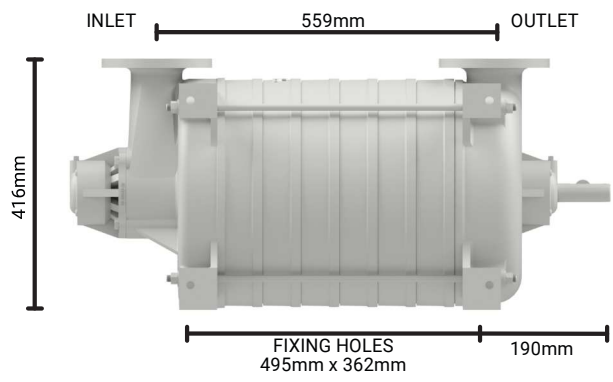
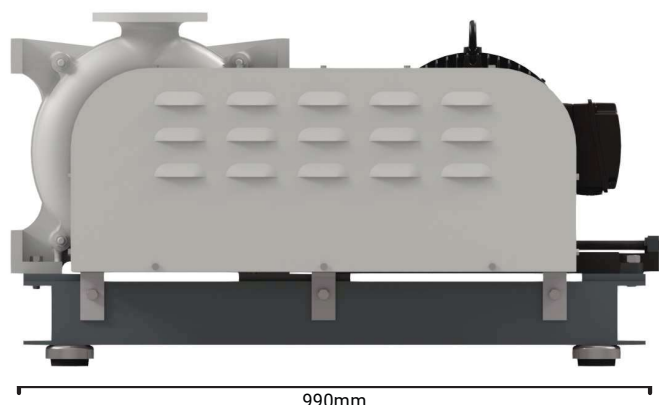
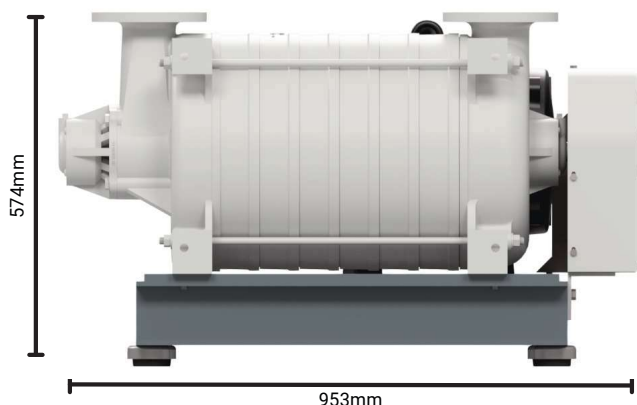
---

**Inlet** Should be fitted with in-line filter (and throttle valve if required).

**Outlet** Should be fitted with flexible sleeve to take out any vibration.

IMPELLERS/DIFFUSERS	STEEL
SHAFT	STEEL
INTERMEDIATE RINGS	ALUMINIUM
END COVERS	ALUMINIUM
BEARINGS	SELF-ALIGNING BALL BEARING NDE, ROLLER BEARING DE
BELT DRIVE	MULTI-VEE TAPER LOCK PULLEYS
NUMBER OF STAGES	8

NOMINAL PORT SIZE	76mm
INLET & OUTLET PORT	VERTICAL, HORIZONTAL OPTION
LUBRICATION	GREASE WITH RESTRICTORS TO BEARING HOUSINGS
MOTOR	5.5kW - 15kW (model dependant) Induction 2 pole TEFV to IP55 380-415v / 3ph / 50HZ
NORMAL SPEED	45-4,500 49-4,900 57-7,700 59-5,900 60-6,000 62-6,200
CONTROL SWITCH	NOT SUPPLIED
WEIGHT	MOTORISED - 45&49 - 227KG, 57/59/60/62 - 262KG BARESHAF - 90KG



## Exhauster/Blower Supply

Inlet filters (blowers) and outlet silencer (exhausters) can be supplied as optional extras. Blowers may be fitted with a throttle on inlet - details on request.

VACUUM OR PRESSURE	PSI	0.28	0.57	0.85	1.13	1.42	1.70	2.0	2.27	2.55	2.84	3.12	3.40	3.69	4.0	4.26	4.54	4.82	5.1	5.39	5.68	6.0	6.24	6.53
	"WG	7.9	15.7	23.6	31.5	39.4	47.2	55.1	63.0	70.9	78.7	86.6	94.5	102.4	110.2	118.1	126.0	133.8	141.7	149.6	157.5	165.3	173.2	181.1
	mmWG	200	400	600	800	1000	1200	1400	1600	1800	2000	2200	2400	2600	2800	3000	3200	3400	3600	3800	4000	4200	4400	4600

EXHAUSTER AB08/45	M³/Hr	892	845	795	735	680	615	540	455	335	140
	CFM	525	497	468	432	400	362	318	268	197	82

EXHAUSTER AB08/49	M³/Hr	970	925	880	830	785	730	675	610	530	430	300	77
	CFM	570	544	518	488	462	429	397	359	312	253	176	45

EXHAUSTER AB08/59	M³/Hr	1159	1127	1088	1049	1011	964	913	853	790	731	629	527	493	382	238
	CFM	682	663	640	617	595	567	537	502	465	430	370	310	290	225	140

EXHAUSTER AB08/62	M³/Hr	1250	1210	1172	1137	1090	1052	1010	970	925	880	830	770	697	612	510	374	335	90
	CFM	735	712	689	669	641	619	594	570	544	518	488	453	410	360	300	220	197	53

BLOWER AB08/45	M³/Hr	895	855	805	755	705	645	590	535	459	374	270	150
	CFM	526	503	473	444	415	379	347	315	270	220	159	88

BLOWER AB08/49	M³/Hr	975	940	900	860	810	765	710	655	600	540	480	420	340	255	135
	CFM	573	553	529	506	476	450	418	385	353	318	282	247	200	150	79

BLOWER AB08/57	M³/Hr	1120	1080	1040	1000	960	920	875	830	785	735	690	640	590	530	470	410	289	250	150	40
	CFM	659	635	612	588	565	541	515	488	462	432	406	376	347	312	276	241	170	147	88	23

BLOWER AB08/60	M³/Hr	1300	1270	1230	1190	1155	1115	1080	1040	1005	965	925	885	840	790	750	707	612	595	530	485	390	300	160
	CFM	765	747	723	700	679	656	635	612	591	568	544	521	494	465	441	416	360	350	312	273	229	176	94

MULTIPLY CFM 0.4719 FOR LITRES/SEC

DIVIDE "WG BY 13.6 FOR "HG