



Efficient collective transport Quick and secure from the shelves to the desk

If several media items need to be fetched from the stacks or taken to the archives at the same time, the practical UniSafeCar™ does the job quickly, safely and efficiently. In just few minutes spontaneous orders will be dispatched to the reading room or to the lending desk. And internal logistics are much quicker to complete. Staff can simply order a batch of titles directly to their work place if they need to be processed or digitised.

Takes over the transport logistics for:

- Books
- Documents
- Magazines
- DVDs / CDs
- Internal / external posts
- Historical books
- Specialist books
- and many more

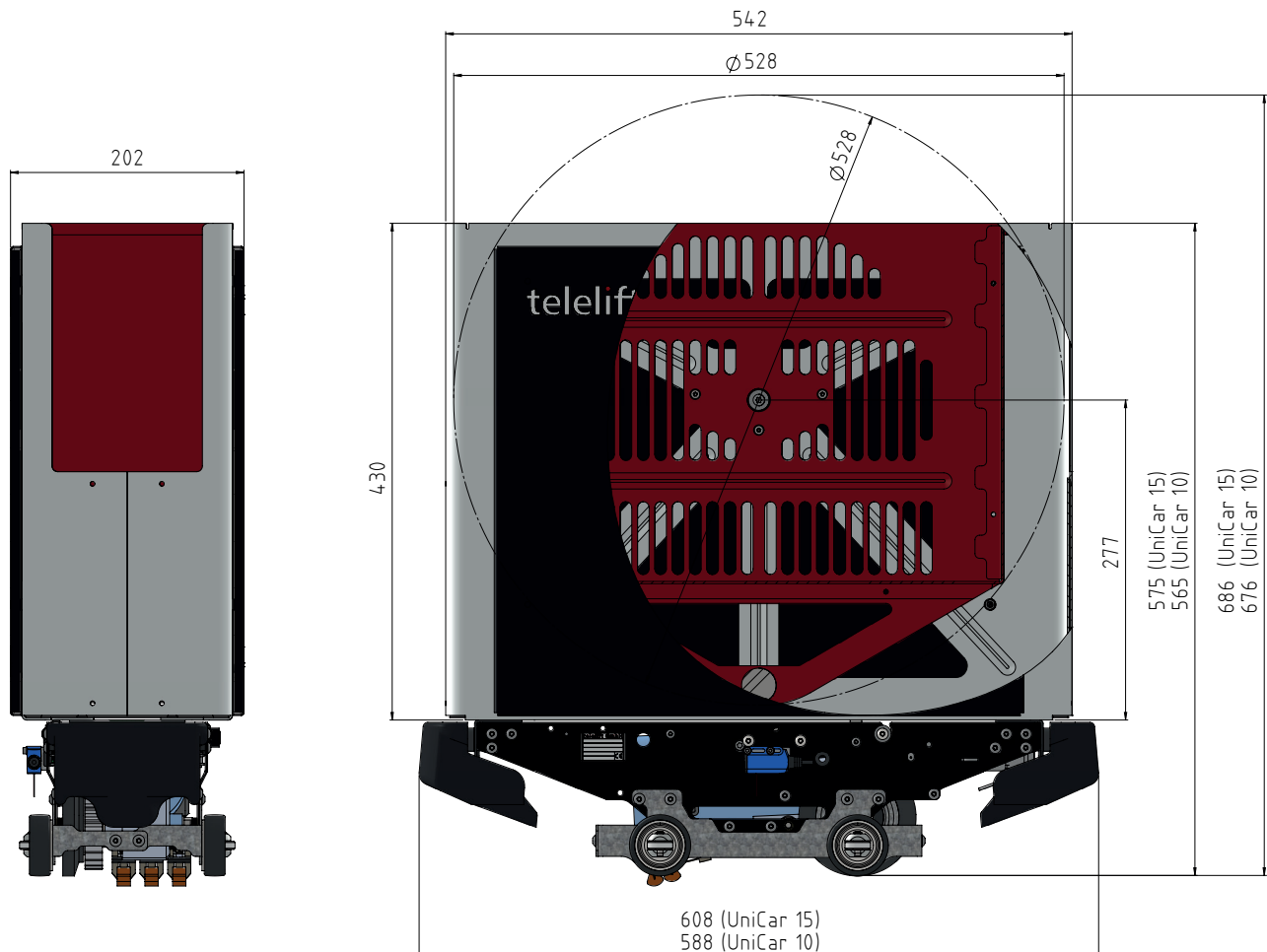
UniSafeCar™ features:



- New Industrial Design
- Protective Transport for valuable inventory
- All Technologies: RFID, EM, barcode
- Electronic Car ID for positioning control
- Precise Monitoring + highly secure
- Linked to fully automated stacks
- Combinable with UniSortCar™
- Spontaneous direct transport
- Manual loading up to 10kg
- All formats up to DIN A3
- Accelerated ordering processes

**MADE
IN
GERMANY**

**More than 1300 installations worldwide!
More than 50 years experience!**



Careful transportation!

The UniSafeCar™ is a particularly safe form of transport and is ideal for valuable historic manuscripts, prints, charts, early printed books, microforms and of course all modern types of inventory. Cars are loaded and unloaded by hand. They can transport up to 10kg and accept formats up to DIN A3.

Thanks to the container being suspended via a pendulum bearing, the contents never move when the vehicle changes from vertical to horizontal or overhead transport. Rather, they are always kept horizontally aligned. The soft rubberized container bottom of UniSafeCar™ also prevents media from sliding around.

Transport weight and dimensions:

- Max. transport weight: 10 kg
- Max. transport volume: 18 litres
- Max. dimensions: 420 mm x 305 mm x 140 mm