

Safe and gentle sample transport

The Telelift UniLabCar ensures automated, gentle and safe transport of laboratory samples- even across several floors or parts of buildings.

Thanks to a swivel-mounted suspension of the container, the transported material is not moved when the trolley changes from vertical to horizontal or overhead transport, but always remains aligned in a balanced position. This means that even sensitive samples can be transported safely and gently.

The electronically monitored transport containers ensure hygienic and safe transport from the delivery point to the transport destination with complete transport documentation.

TeleControl transport order management ensures fast processing of transport tasks by the shortest possible route, thus minimizing turnaround times in the laboratory.

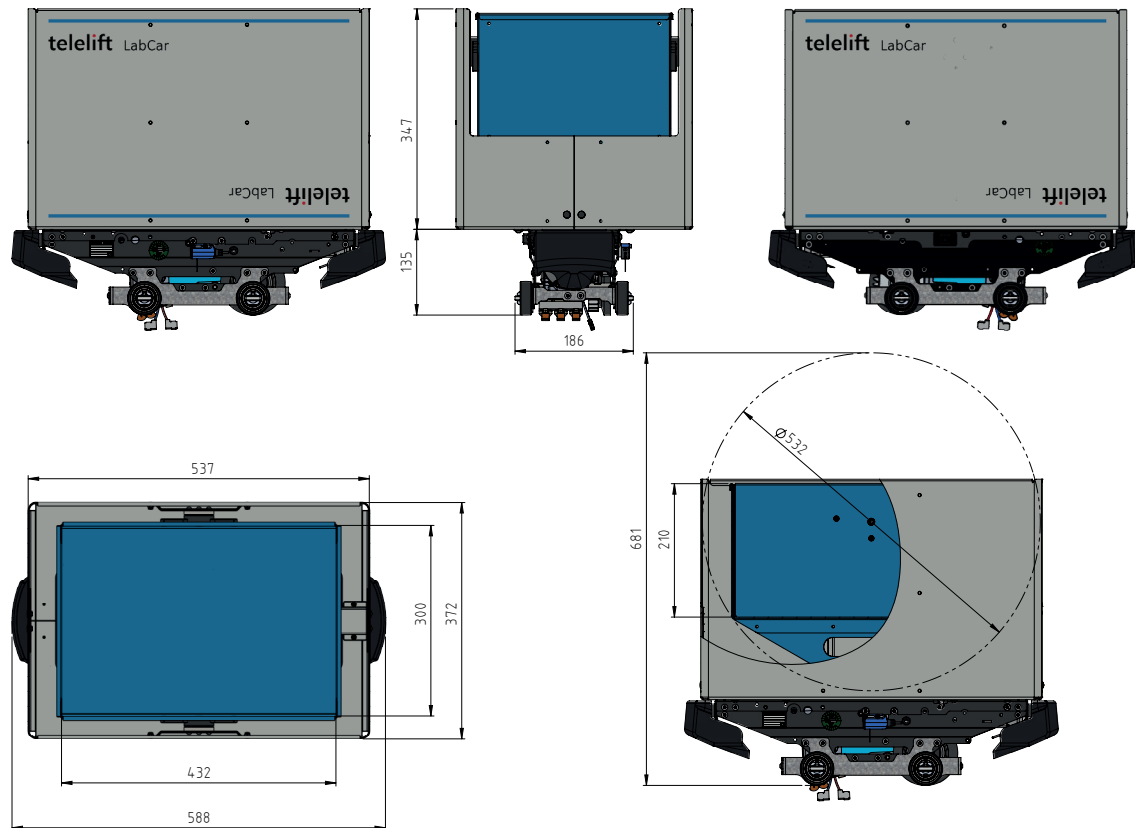
The UniLabCar10 transports (Individual and bulk transport possible):



- Blood and urine samples
- Tissue samples
- Blood and plasma samples
- Sensitive samples that cannot be dispatched with other transport systems
- Consumables and supplies
- Laboratory documents

MADE
IN
GERMANY

More than 1300 installations worldwide!
More than 50 years experience!



Transport weight and dimensions:

- Max. transport weight: 8 kg
- Max. usable volume: 432 x 300 x 210 (L x W x H, mm), equivalent to 27 litres
- Max. dimensions: 588 x 372 x 681 (L x W x H, mm)