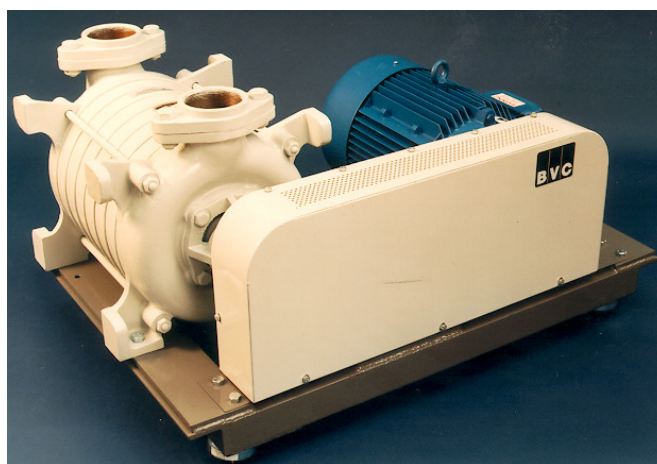


S6 / S8 Exhauster/Blower



Features and benefits

- Robust construction, British design and manufacture.
- Suitable for a broad range of applications.
- Provide war, dry, non-pulsating air.
- Bare shaft or fully motorised units.
- Electric motors/starters from a wide range can be fitted.

Exhauster Applications:-

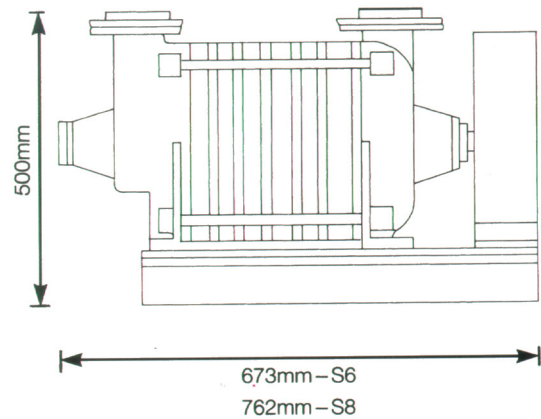
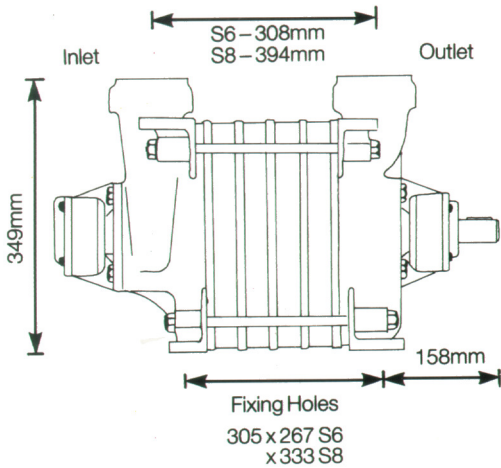
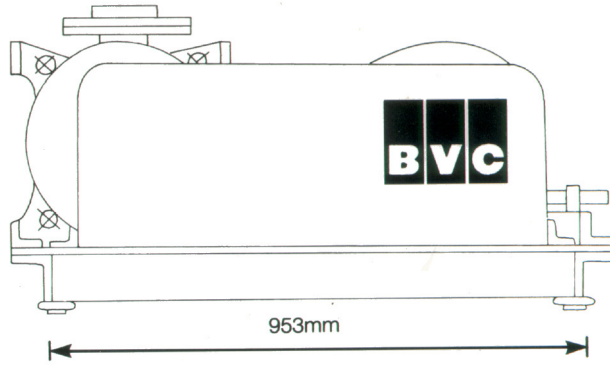
Inlet Should be fitted with in-line filter and flexible connector to pipework.

Outlet Silencer should be fitted.

Blower Applications:-

Inlet Should be fitted with in-line filter (and throttle valve if required).

Outlet Should be fitted with flexible connector to pipework.



Inlet filters (blowers) and outlet silencer (exhausters) are supplied as extras. Blowers may be fitted with a throttle on inlet—details on request.

Motor and exhauster/blower supplied mounted on bed plate, complete with belt-guard and anti-vibration mounts.

VACUUM	PSI	0.28	0.57	0.85	1.13	1.42	1.70	2.0	2.27	2.55	2.84	3.12	3.41	3.69	4.0	4.26	4.54	4.82	5.11	5.39
OR	"WG	7.9	15.7	23.6	31.5	39.4	47.2	55.1	63.0	70.9	78.7	86.6	94.5	102.4	110.2	118.1	126.0	133.8	141.7	149.6
PRESSURE	mmWG	200	400	600	800	1000	1200	1400	1600	1800	2000	2200	2400	2600	2800	3000	3200	3400	3600	3800
EXHAUSTER	M ³ /Hr	602	570	541	508	473	434	386	334	272	184									
S6/66	CFM	354	335	318	299	278	255	227	196	160	108									
EXHAUSTER	M ³ /Hr	602	580	558	534	508	475	446	410	371	333	276	216	132						
S8/66	CFM	354	341	328	314	29	281	262	241	218	196	162	127	78						
BLOWER	M ³ /Hr	605	580	559	534	508	48	445	410	367	318	258	163							
S6/66	CFM	356	341	329	314	299	281	262	241	216	187	152	96							
BLOWER	M ³ /Hr	605	600	590	576	561	546	527	508	486	461	435	408	377	343	304	264	170	145	51
S8/66	CFM	356	353	347	339	330	321	310	299	286	271	256	240	222	202	179	155	100	85	30

02392 603700

www.quirepace.co.uk

Email: enquiries@quirepace.co.uk

BVC